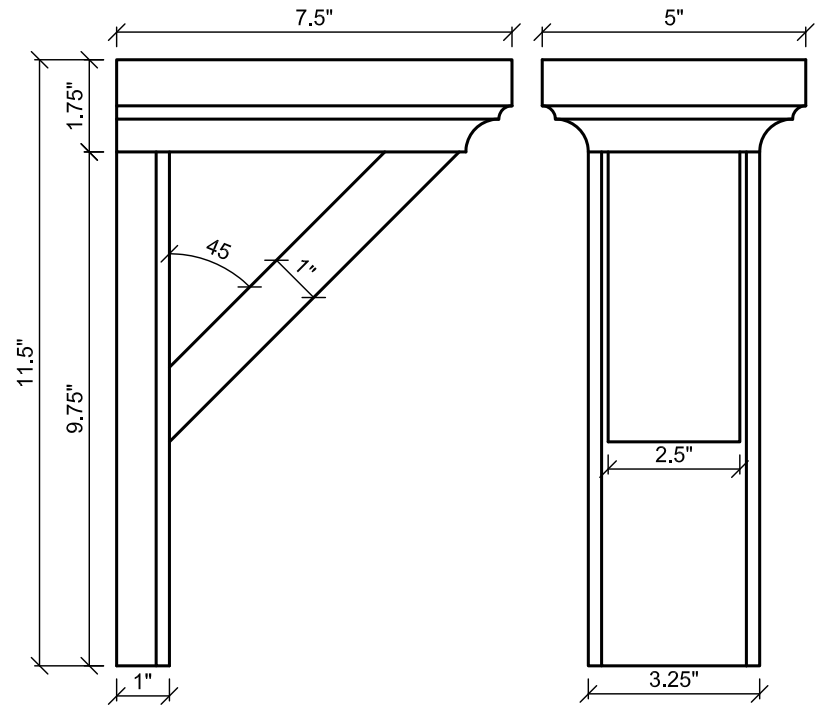
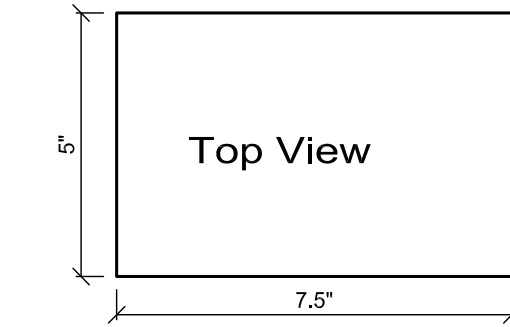


Back View



Side View

Front View

Designs of
distinction[®]
by Brown Wood, Inc.
est. 1927

REVISION HISTORY		
REV	REV DATE	DESCRIPTION

TOLERANCES	
WIDTH	± .03125"
THICKNESS	± .03125"
LENGTH	± .0625"
ANGULAR	± x.x°
PROFILE	± x.xxx"
Use General Tolerances Unless Noted	

AVAILABLE WOOD SPECIES	
(HM) Hard Maple	(CH) Cherry
(AK) Red Oak	(AL) Alder
NOTES: Do not scale. Use dimensions only. All dimensions are in inches unless noted	

TITLE: ARTS & CRAFTS CORBEL	
SIZE: 5" X 7.5" X 11.5"	
DWG #: 607012-1	REV:
DATE: 1-29-2010	SCALE: NTS