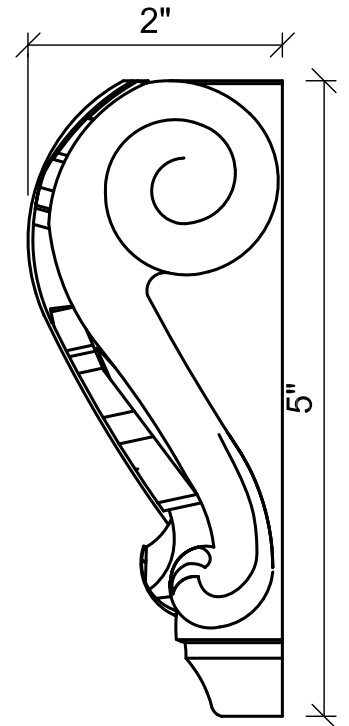
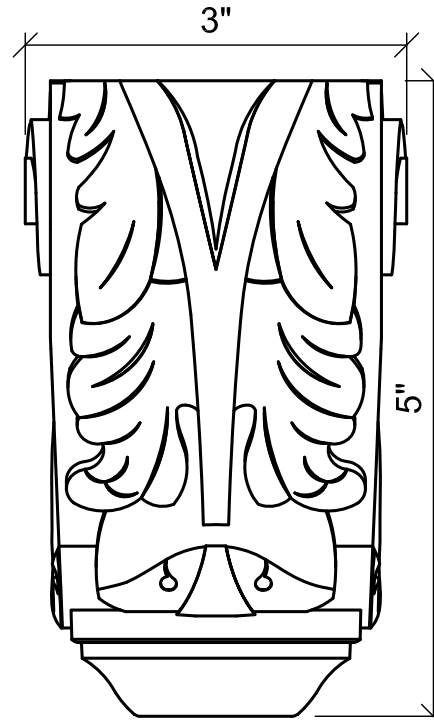


Top of corbel to center of mounting hole 1.188"



*Designs of*  
**distinction**<sup>®</sup>  
by Brown Wood, Inc.  
est. 1927

REVISION HISTORY		
REV	REV DATE	DESCRIPTION

TOLERANCES	
WIDTH	± .0625"
THICKNESS	± .0625"
LENGTH	± .0625"
ANGULAR	± x.x°
PROFILE	± x.xxx"
Use General Tolerances Unless Noted	

AVAILABLE WOOD SPECIES		
(HM)	Hard Maple	(CH) Cherry (AL) Alder
NOTES:		
Do not scale. Use dimensions only. All dimensions are in inches unless noted		

TITLE: PETITE ACANTHUS CORBEL	
SIZE: 2" X 3" X 5"	
DWG #: 609004-1	REV:
DATE: 2-11-2010	SCALE: NTS