





## Your Guide to Metal Vanity Feet with Designs of Distinction®

Add a contemporary twist to traditional pieces by replacing the feet to change the height and/or style of the furniture. Our polished **solid brass legs and feet** add a luxury look to your furniture pieces. Suitable for sofas, chairs, cabinets, and other furniture. To install, simply screw the leg directly into the furniture frame through the screw holes on the top of the leg.


Finish Code:	 PB	 WR
Finish Name:	Polished Brass	Flat Black



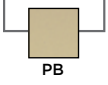

**Rutland**  
**SKU: 01700408-1**  
 7.189" H X 4.724" Each Way



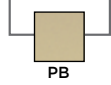

**Devon**  
**SKU: 01700406PB1**  
 5.9"H X 4.04" Top Plate

**Tyne**  
**SKU: 01700410PB1**  
 5.9"H X 1.60" W  
 X 2.106" Top Plate

**Essex**  
**SKU: 01700412PB1**  
 7.18"H X 1.57" Diam.



To complete the part number, replace the dash with a finish code.

Add an industrial twist to traditional pieces by replacing the feet to change the height and/or style of the furniture. Accent your cabinets, seating, chests, and other furniture with our **steel legs and feet**. Updated to meet the needs of today's contemporary buyers, these feet work with all of your urban and industrial décor.

				
Finish Code:	CR	GR	GL	WR
Finish Name:	Chrome	Gun Metal Grey	Gold	Flat Black




**Bristol**  
**SKU: 01700401WR1**  
 6.18" H X 3.9375" Top Plate



WR




**4" APEX**  
**SKU: 01704017-1**  
 3.94"H X 3.74" W



WR CR




**Hairpin**  
**SKU: 01710610-1**  
 5.125"W X 5.125"D X 6"H  
**SKU: 01710910**  
 5.125"W X 5.125"D X 9"H



GL WR GR




**APEX Industrial**  
**SKU: 01706017-1**  
 6" H X 4" W  
**SKU: 01709017**  
 9" H X 4" W



GL WR GR

To complete the part number, replace the dash with a finish code.